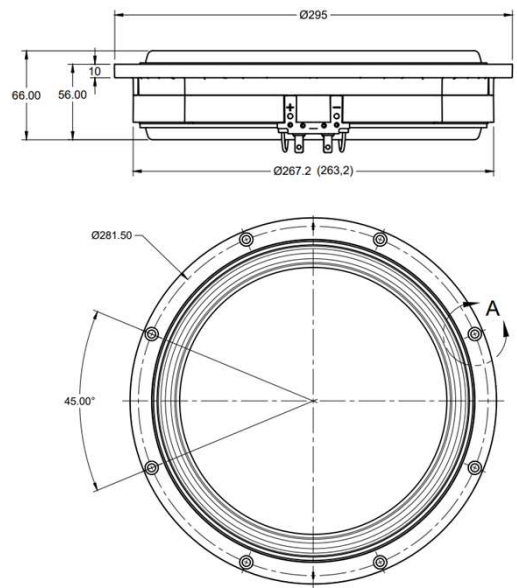


UF 295 FAS



Designed as a pure dipole woofer. The pure dome is made of Fiberglass/Rohacell and suspended directly on the voice coil. Symmetrical suspension and inductance enables proper piston behavior.

Re	7.2 Ohm
Fs	31 Hz
Le	1.76 mH
Mms	100.7 gram
Bl	9.1 N/A
Sd	437 cm ²
Cms	0.26 mm/N
Vas	70.79 L
Qes	1.7
Qms	4.4
Qts	1.2
Linear Excursion (+/- @82%Bl)	10.4 mm
Voice Coil Diameter	233 mm
Mechanical Excursion (+/-)	17 mm



Fundamental + Harmonic distortion components

